

PLEASE DO NOT BOOKMARK ANY ANYTIMECE WEBPAGES!

Our system will remember the last page you viewed when logging out and back in, but please DO NOT exit when taking a test. Your place will NOT be saved.

How to take this course.

1. Download and print the test questions.
2. Log in to your account with your ID and password.
3. Viewing your status page, scroll down and click on "[Click here to start this course.](#)"
4. Begin viewing the web pages. Refer to your printed test to find the correct answers. The questions track the web pages.
5. As you find the answers, circle them on your printed copy.
6. At the end of each section, you'll enter the quiz which is the same as your printed test. Refer to your circled answers when actually answering the quiz on the web.
7. Upon passing, you will proceed to the next section. If you failed to pass, you will be moved back to the beginning of that section for more review.



Mobile users – Many current mobile devices are compatible with AnytimeCE and will probably work. If not, use a desktop or laptop computer to complete your course.

Quiz 1

1. Galvanized steel pipe can be used for drainage piping if _____.
 - it is installed at least 6 inches underground
 - it is installed at least 6 inches aboveground
 - it is installed under water
 - it is installed with a waterproof covering
 - it is installed in a sand bed
2. ABS and PVC piping can be installed in duct work if _____.
 - A. it has a flame-spread index of a maximum of 25 and a smoke-developed index of a maximum of 50
 - B. it is installed in a single-family dwelling
 - C. it is installed perpendicularly through the duct work
 - D. installed in a commercial building
 - answers A and B
3. Vitrified clay pipe can be _____.
 - installed above ground
 - installed at any distance below ground
 - installed below ground if at least 6 inches deep
 - installed below ground if at least 1 foot deep
 - installed below ground if at least 12 feet deep
4. A 2-inch copper tube for drainage shall have an OD of _____ inches.
 - 1.950
 - 2.000
 - 2.125
 - 2.137
 - 2.139

UPC Chapter 7 Sanitary Drains

RV 11.06.2021

5. Stainless steel 304 pipe can be used for drainage piping if _____.
- it is installed at least 6 inches underground
 - it is installed at least 6 inches above ground
 - it is installed under water
 - it is installed with a waterproof covering
 - it is installed in a sand bed

Quiz 2

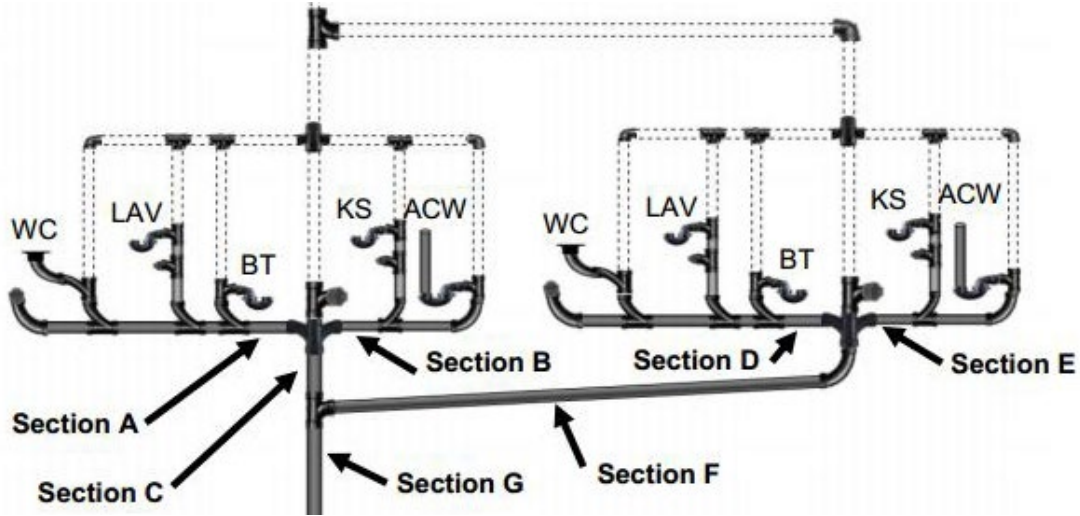
PLUMBING APPLIANCES OR FIXTURES	MIN. SIZE TRAP/TRAP ARM (inches)	PRIVATE DFU	PUBLIC DFU
Bathtub/Shower	1 ½	2.0	2.0
Clothes Washer	2	3.0	3.0
Floor Drain (emergency)	2	----	0.0
Lavatory	1 ¼	1.0	1.0
Service mop basin	2	---	3.0
Sink – domestic	1 1/2	2.0	2.0
Sink- com. with food waste	1 1/2	----	3.0
Urinal, inter. trap 1.0GPF	2	2.0	2.0
Water closet 1.6 GPF	3	3.0	4.0

1. A drainage fixture unit is equal to 1 gpm.
- True
 - False
2. A single lavatory shall have a minimum trap arm of _____.
- 1-1/4 inches
 - 1-1/2 inches
 - 2 inches
 - 2-1/2 inches
 - 3 inches
3. A clothes washer shall have a minimum trap arm of _____.
- 1-1/4 inches
 - 1-1/2 inches
 - 2 inches
 - 2-1/2 inches
 - 3 inches
4. A service mop basin shall have a minimum trap arm of _____.
- 1-1/4 inches
 - 1-1/2 inches
 - 2 inches
 - 2-1/2 inches
 - 3 inches
5. A water closet in a public area shall have a minimum trap arm of _____.
- 1-1/2 inches
 - 2 inches
 - 2-1/2 inches
 - 3 inches
 - 4 inches

UPC Chapter 7 Sanitary Drains

RV 11.06.2021

Quiz 3



**TABLE 702.1
DRAINAGE FIXTURE UNIT VALUES (DFU)
Abbreviated Table**

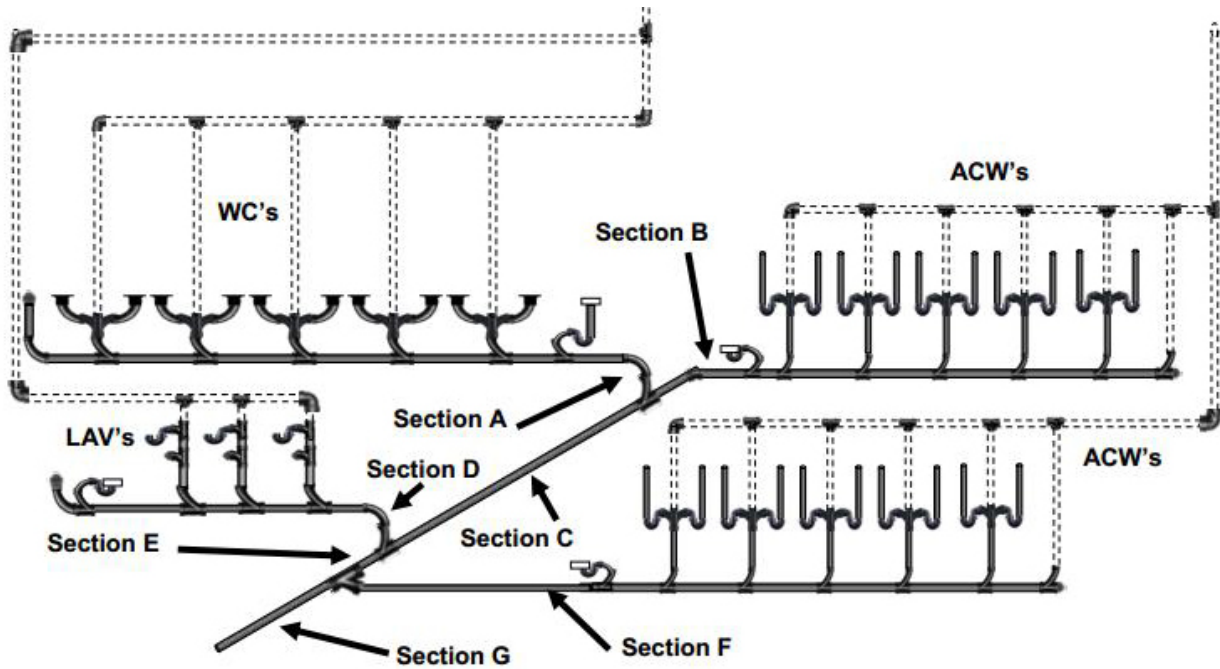
PLUMBING FIXTURES	MIN. SIZE TRAP ARM (inches)	PRIVATE (DFUs)
Bathtub/Shower – BT	1 ½	2.0
Clothes Washer – ACW	2	3.0
Water Closet – WC	3	3.0
Lavatory Single – LAV	1 ¼	1.0
Kitchen Sink – KS	1 ½	2.0

TABLE 703.2: MAX. UNIT LOADING AND MAX. LENGTH OF DRAINAGE AND VENT PIPING – Abbreviated Table

SIZE OF PIPE (Inches)	1 ¼	1 ½	2	3	4	5
Maximum Units						
Drainage Piping						
Vertical	1	2	16	48	256	600
Horizontal	1	1	8	35	216	428
Maximum Length						
Drainage Piping						
Vertical (feet)	45	65	85	212	300	390
Horizontal (unlimited)						
Vent Piping						
Horizontal and Vertical						
Maximum Units	1	8	24	84	256	600
Maximum Lengths (feet)	45	60	120	212	300	390

- At Section A, DFU is calculated to be _____.
 - 3
 - 5
 - 6
 - 11
 - 22
- The minimum size drainage pipe at Section A must be _____ in diameter.
 - 1-1/2 inches
 - 2 inches
 - 3 inches
 - 4 inches
- At Section B, DFU is calculated to be _____.
 - 3
 - 5
 - 6
 - 11
 - 22
- The minimum size drainage pipe at Section B must be _____ in diameter.
 - 1-1/2 inches
 - 2 inches
 - 3 inches
 - 4 inches
- At Section C, DFU is calculated to be _____.
 - 3
 - 5
 - 6
 - 11
 - 22

Quiz 4



**TABLE 702.1
DRAINAGE FIXTURE UNIT VALUES (DFU)
Abbreviated Table**

PLUMBING FIXTURES	MIN. SIZE TRAP ARM (inches)	PUBLIC (DFUs)
Bathtub/Shower – BT	1 ½	2.0
Clothes Washer – ACW	2	3.0
Water Closet – WC	3	4.0
Lavatory Single – LAV	1 ¼	1.0
Kitchen Sink – KS	1 ½	2.0
Floor Drain – FD	2	0.0

**TABLE 703.2: MAX. UNIT LOADING AND MAX. LENGTH OF
DRAINAGE AND VENT PIPING – Abbreviated Table**

SIZE OF PIPE (Inches)	1 ¼	1 ½	2	3	4	5
Maximum Units						
Drainage Piping						
Vertical	1	2	16	48	256	600
Horizontal	1	1	8	35	216	428
Maximum Length						
Drainage Piping						
Vertical (feet)	45	65	85	212	300	390
Horizontal (unlimited)						
Vent Piping						
Horizontal and Vertical						
Maximum Units	1	8	24	84	256	600
Maximum Lengths (feet)	45	60	120	212	300	390

¹ Buildings having a clothes-washing area with clothes washers in batteries of **three or more** shall be rated **6 fixture** units each for purposes of sizing common horizontal and vertical drainage piping.

¹ Only four water closets or six unit traps allowed on vertical pipe.

¹ Not to exceed three water closets or six unit traps on horizontal branch or drain.

UPC Chapter 7 Sanitary Drains

RV 11.06.2021

- At Section A, DFU is calculated to be _____.
 - 10
 - 20
 - 30
 - 40
 - 60
- The minimum size drainage pipe at section A is _____.
 - 1-1/2 inches
 - 2 inches
 - 3 inches
 - 4 inches
- At Section B, DFU is calculated to be _____.
 - 10
 - 20
 - 30
 - 40
 - 60
- The minimum size drainage pipe at Section B must be _____ in diameter.
 - 1-1/2 inches
 - 2 inches
 - 3 inches
 - 4 inches
- At Section C, DFU is calculated to be _____.
 - 20
 - 40
 - 60
 - 80
 - 100
- ABS joints shall be made while the _____ is/are wet with solvent cement.
 - inside surface
 - outside surface
 - both inside and outside surfaces
- The depth of the lead in a cast iron fitting must be at least _____.
 - 1/2 inch
 - 3/4 inch
 - 1 inch
 - 1-1/2 inches
 - none of the answers provided
- The lead level on a cast-iron pipe fitting cannot be lower than _____ inch below the rim of the hub.
 - 1/16
 - 1/8
 - 1/4
 - 1/2
 - none of the answers provided

Quiz 6

Quiz 5

- An ABS pipe can be threaded if it is at least Schedule _____.
 - 40
 - 60
 - 80
 - 100
 - 120
- Thread sealant compound shall be _____.
 - applied to the female threads only
 - insoluble in water
 - inflammable
 - all of the answers provided
 - none of the answers provided

- Which is NOT an approved fitting?
 - 1/32 bend
 - 1/16 bend
 - 1/8 bend
 - 1/6 bend
 - 1/4 bend
- A horizontal drain line connecting with a vertical stack can enter through a _____.
 - 45-degree wye branch
 - 60-degree wye branch
 - combination wye and 1/8 bend branch
 - sanitary tee branch
 - all of the answers provided
- Which fitting should be used when connecting two horizontal drains on the same level to a single vertical pipe?
 - double fixture fitting
 - double sanitary tee (same size barrels on all connections)
 - double wye tee
 - wye tee installed horizontally
 - all of the answers provided
- A double sanitary tee may be use to connect a horizontal to a vertical pipe which has more than one inlet at the same level if the barrel of the fitting is at least 2 pipe sizes larger than the largest inlet.
 - True
 - False

UPC Chapter 7 Sanitary Drains

RV 11.06.2021

5. A horizontal drain line connecting to another horizontal drain line can enter through _____.
- a 45-degree wye branch
 - a combination wye and 1/8 bend branch
 - an approved fitting of equivalent sweep
 - all of the answers provided
 - none of the answers provided

Quiz 7

1. Horizontal drainage pipes should have a uniform slope of _____ inch per foot.
- 1/16
 - 1/8
 - 1/4
 - 1/2
 - 3/4
2. Upon approval of the Authority Having Jurisdiction, a four inch or greater drainage pipe may be placed at _____ inch per foot.
- 1/16
 - 1/8
 - 1/4
 - 1/2
 - 3/4
3. If a drainage pipe is placed at a reduced slope, the DFU rating of the drainage pipe is rated at _____ of Table 703.2.
- 50%
 - 60%
 - 70%
 - 80%
 - 90%
4. Fixtures that are _____ the next upstream manhole need to be protected from backflow of sewage with an approved type of backwater valve.
- lower than
 - higher than
 - parallel to
 - neither higher nor lower than
5. A sewage ejector pump that receives discharge of WCs and urinals needs to have a capacity of at least _____ gpm.
- 5
 - 10
 - 15
 - 20
 - 30